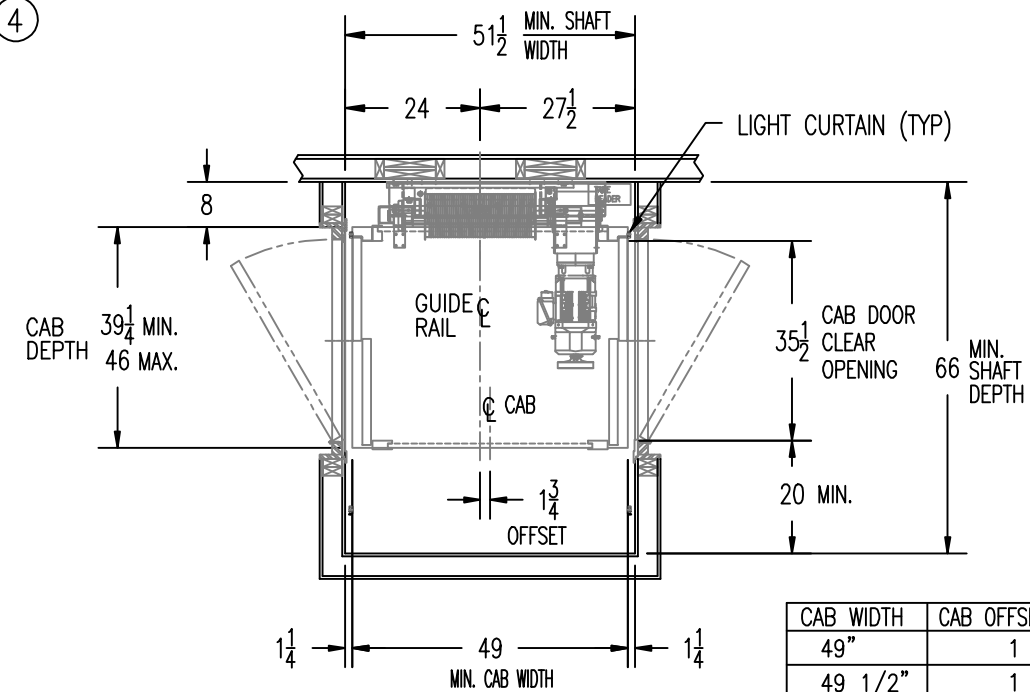


REVISIONS					
REV	DATE	ECN	DESCRIPTION OF CHANGE	BY	
A	3/9/21	1003	New Drawing	BWW	
B	4/22/21	1003	Added Light Curtain clearance - 1-1/4" was 3/4" RC; Added Note 5	BWW	
C	8/8/21	1008	Removed Dwg -2 & -3; Added Note 6	BWW	

TABLE 5

MINIMUM OVERHEAD REQUIRED		GATE CODE						
		1	2	3	4	5	6	3 & 6
DOOR DESCRIPTION								
1	36 x 96 2SP	10'-1"	10'-1"	10'-1"			10'-1"	10'-5"
2	36 x 84 2SP	9'-1"	9'-1"	9'-1"			9'-1"	9'-5"
3	36 x 80 2SP	8'-9"	8'-9"	8'-9"			8'-9"	9'-1"

④



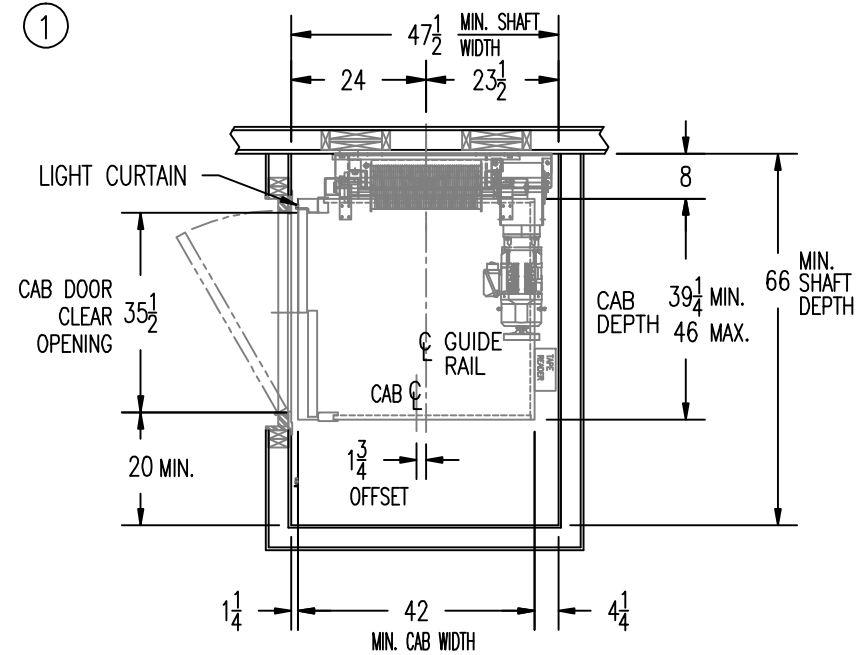
2 SPEED / CODE 3 & 6

CAB WIDTH	CAB OFFSET REQUIRED
49"	1 3/4"
49 1/2"	1 1/2"
50"	1 1/4"
50 1/2"	1"
51"	3/4"
51 1/2"	1/2"
52"	1/4"
52 1/2"	0

NOTE:

- FOR THE OHCD ELEVATOR W/SUMITOMO GEARMOTOR AND SHAFT SWING DOORS AND 2 SPEED HORIZONTAL SLIDING CAR DOORS.
- DRAWINGS SHOW THE MINIMUM CAR/SHAFT DEPTH AND WIDTH ALLOWED BASED ON GATE CODE.
- WITH SMALLER SHAFTS, THE CAB MAY NEED TO BE OFFSET ON THE PLATFORM FRAME. THE AMOUNT OF OFFSET, AT THE SHAFT MIN. WIDTH, IS SHOWN ON THE DRAWING. THE TABLES SHOW THE CAB OFFSET VERSUS CAB WIDTH IN 1/2" INCREMENTS.
- SEE TABLE 5 FOR MINIMUM OVERHEAD BASED ON DOOR HEIGHT & GATE CODE.
- GATE CODES 4 & 5 ARE NOT AVAILABLE WITH 2 SPEED SLIDING DOORS DUE TO THE 20" SPACE NEEDED FOR DOORS IN OPENED POSITION AND CAB DEPTH NECESSARY TO MEET THE 35-1/2" CLEAR OPENING.
- ONLY 2-SPEED CAB DOORS CAN BE USED WITH SWING DOORS. ON 3-SPEED DOORS, THE SPACE BETWEEN THE SHAFT DOOR AND THE CAB DOOR FURTHEST FROM THE LANDING EXCEEDS 4".

①

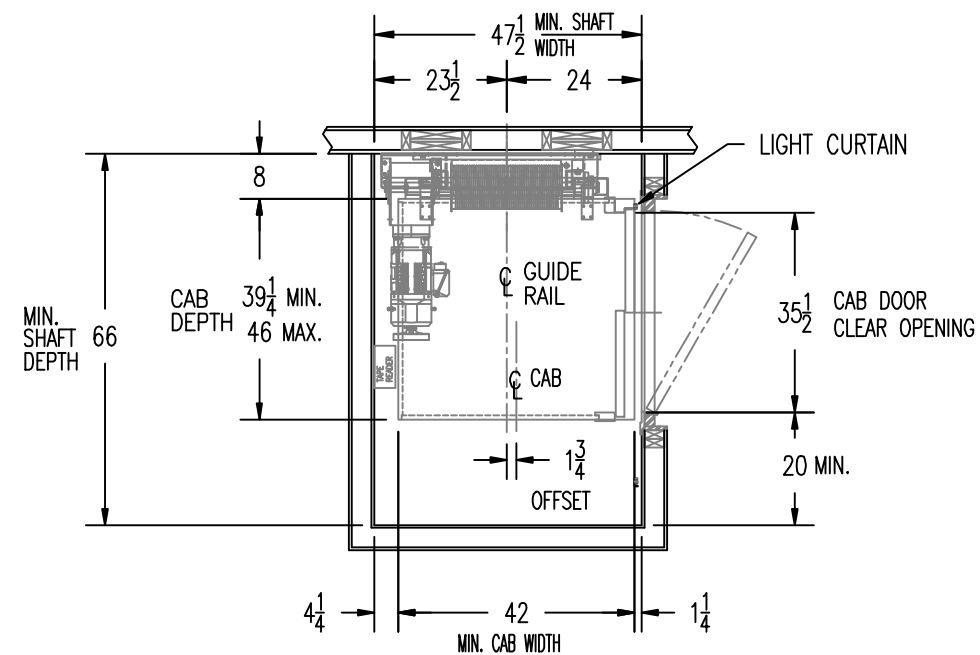


2 SPEED / CODE 6

SEE NOTE 5

CAB WIDTH	CAB OFFSET REQUIRED
42"	1 3/4"
42 1/2"	1 1/2"
43"	1 1/4"
43 1/2"	1"
44"	3/4"
44 1/2"	1/2"
45"	1/4"
45 1/2"	0

②

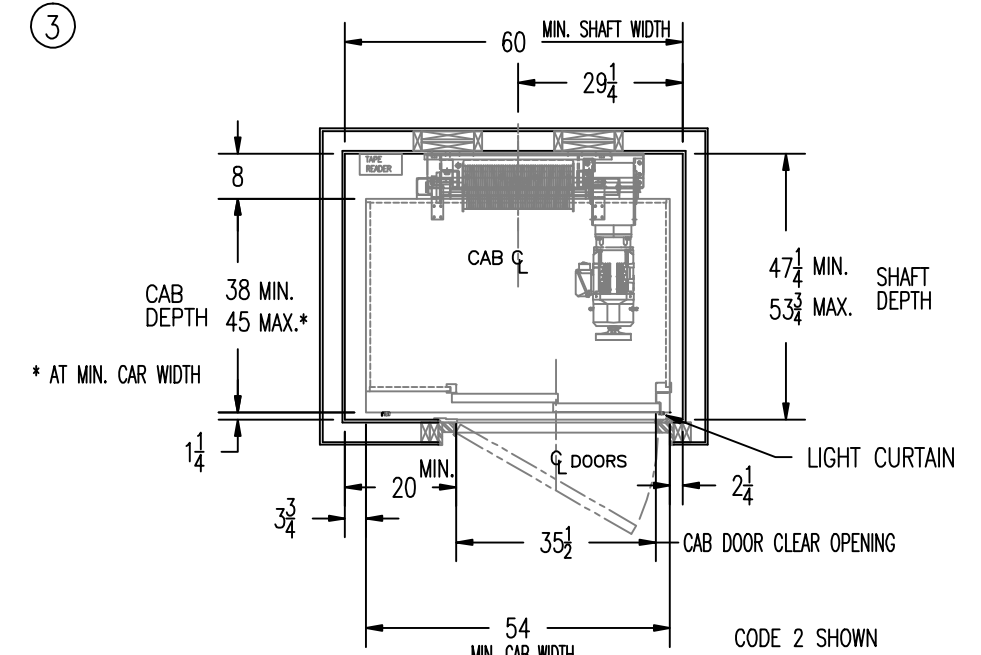


2 SPEED / CODE 3

SEE NOTE 5

CAB WIDTH	CAB OFFSET REQUIRED
42"	1 3/4"
42 1/2"	1 1/2"
43"	1 1/4"
43 1/2"	1"
44"	3/4"
44 1/2"	1/2"
45"	1/4"
45 1/2"	0

③



2 SPEED / CODE 1 or 2

MATERIAL SPEC.		PART NUMBER	
			DWG. DATE 3/8/2021
DRAWING TITLE 2 SPEED DOORS MINIMUM SHAFT & CAB DIMENSIONS CAB-VICTORY DRS./SWINGING SHAFT DOORS OHCD ELEVATOR W/SUMITOMO DRIVE			DRAWING NO. 25211801-1
DRAWN BWW	CHECKED	DESIGNED	APPROVED
INITIAL ECN		DWG. SCALE NONE	
REV. LEVEL C			